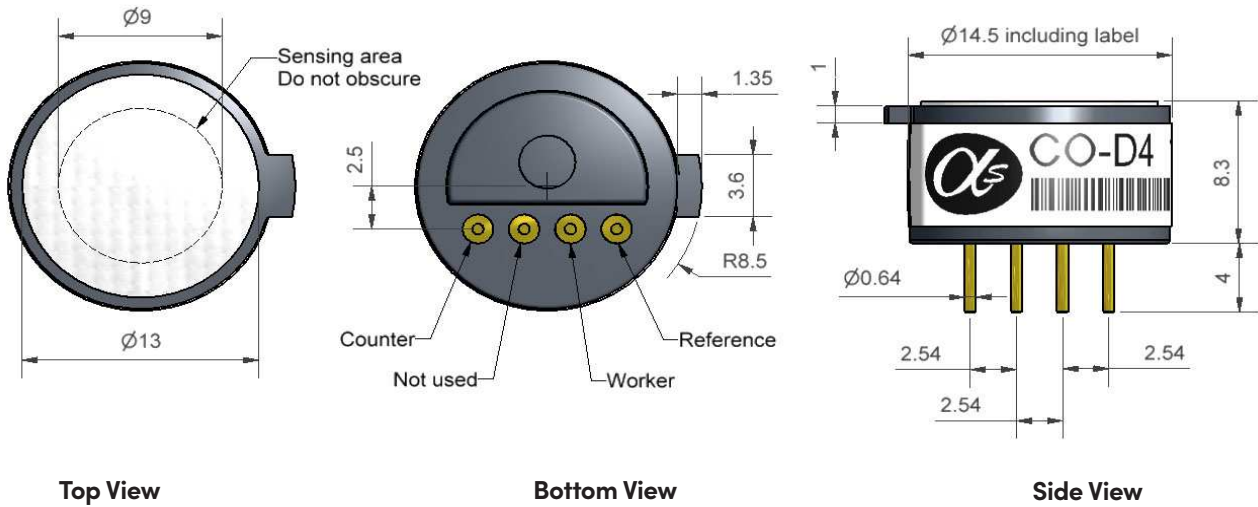


## CO-D4 Carbon Monoxide Sensor – Miniature Size



Dimensions are in millimetres ( $\pm 0.1$  mm). A three-pin version is available on request, coded CO-DF.

<b>Performance</b>	Sensitivity	nA/ppm in 400ppm CO	30 to 55
	Response time	t90 (s) from zero to 400ppm CO @ 22°C	< 25
	Zero current (Typical)	ppm equivalent in zero air	< $\pm 3$
	Resolution	RMS noise (ppm equivalent)	< 1.5
	Range	ppm limit of performance warranty	1,000
	Linearity	ppm CO error at full scale, linear at zero and 400ppm CO	$\pm 40$
	Overgas limit	maximum ppm for stable response to gas pulse	2,000
	<b>Lifetime</b>	Zero drift	ppm equivalent change/year in lab air
Sensitivity drift		% change/year in lab air, monthly test	< 6
Operating life		months until 80% original signal (24-month warranted)	> 18
<b>Environmental</b>	Sensitivity @ -20°C	% (output @ -20°C/output @ 20°C) @ 400ppm CO	45 to 70
	Sensitivity @ 50°C	% (output @ 50°C/output @ 20°C) @ 400ppm CO	105 to 125
	Zero @ -20°C	ppm equivalent change from 20°C	< $\pm 2$
	Zero @ 50°C	ppm equivalent change from 20°C	< $\pm 4$
<b>Cross Sensitivity</b>	Filter capacity	ppm-hrs	H <sub>2</sub> S 20,000
	H <sub>2</sub> S sensitivity	% measured gas @ 20ppm	H <sub>2</sub> S < 0.1
	NO <sub>2</sub> sensitivity	% measured gas @ 10ppm	NO <sub>2</sub> < 6
	Cl <sub>2</sub> sensitivity	% measured gas @ 10ppm	Cl <sub>2</sub> < 0.1
	NO sensitivity	% measured gas @ 50ppm	NO < 60
	SO <sub>2</sub> sensitivity	% measured gas @ 20ppm	SO <sub>2</sub> < 0.1
	H <sub>2</sub> sensitivity	% measured gas @ 400ppm	H <sub>2</sub> < 40
	C <sub>2</sub> H <sub>4</sub> sensitivity	% measured gas @ 400ppm	C <sub>2</sub> H <sub>4</sub> < 110
NH <sub>3</sub> sensitivity	% measured gas @ 20ppm	NH <sub>3</sub> < 0.1	
<b>Key Specifications</b>	Temperature range	°C	-20 to 50
	Pressure range	kPa	80 to 120
	Humidity range	% rh (see note below)	15 to 90
	Storage period	months @ 3 to 20°C (stored in sealed pot)	6
	Load resistor	$\Omega$ (recommended)	10 to 47
	Weight	g	< 2