



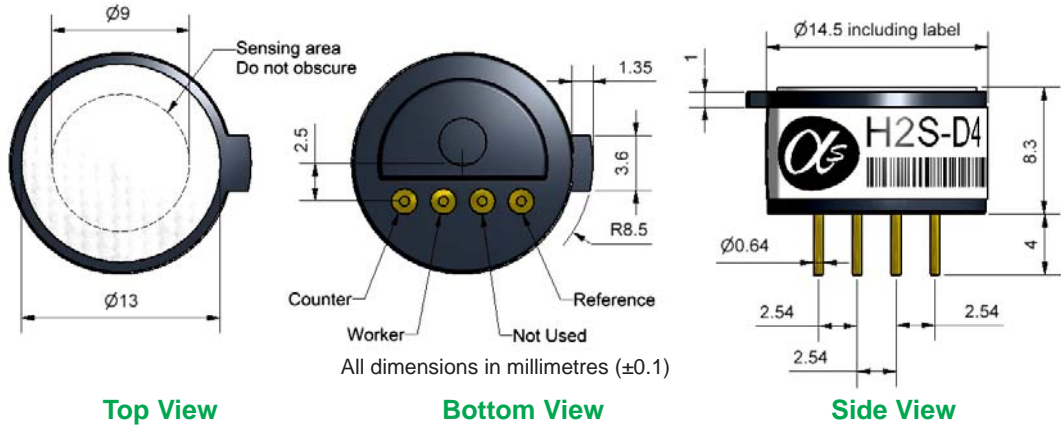
H2S-D4 Hydrogen Sulfide Sensor

Miniature Size



PATENTED

Figure 1 H2S-D4 Schematic Diagram



(A three pin version is available on request, coded H2S-D1)

PERFORMANCE			
Sensitivity	nA/ppm	20ppm H ₂ S	110 to 160
Response time	t ₉₀ (s)	from zero to 20ppm H ₂ S	<25
Zero current	ppm equivalent	in zero air	± 1
Resolution	RMS noise (ppm equivalent)		<0.2
Range	ppm H ₂ S limit of performance warranty		100
Linearity	ppm error at full scale, linear at zero and 20ppm H ₂ S		< ± 6
Overgas limit	maximum ppm for stable response to gas pulse		200
LIFETIME			
Zero drift	ppm equivalent change/year	in lab air	<0.2
Sensitivity drift	% change/year	in lab air, monthly test	<3
Operating life	months until 80% original signal	(24 month warranted)	>24
ENVIRONMENTAL			
Sensitivity @ -20°C	% (output @ -20°C/output @ 20°C) @ 20ppm		84 to 95
Sensitivity @ 50°C	% (output @ 50°C/output @ 20°C) @ 20ppm		100 to 110
Zero @ -20°C	ppm equivalent change from 20°C		± 1
Zero @ 50°C	ppm equivalent change from 20°C		± 1
CROSS SENSITIVITY			
NO ₂ sensitivity	% measured gas @ 10ppm	NO ₂	<-25
Cl ₂ sensitivity	% measured gas @ 10ppm	Cl ₂	<-25
NO sensitivity	% measured gas @ 50ppm	NO	<12
SO ₂ sensitivity	% measured gas @ 20ppm	SO ₂	<20
CO sensitivity	% measured gas @ 400ppm	CO	<1.5
H ₂ sensitivity	% measured gas @ 400ppm	H ₂	<1
C ₂ H ₄ sensitivity	% measured gas @ 400ppm	C ₂ H ₄	<0.1
NH ₃ sensitivity	% measured gas @ 20ppm	NH ₃	<0.1

KEY SPECIFICATIONS

Temperature range	°C	-30 to 50
Pressure range	kPa	80 to 120
Humidity range	%rh (see note below)	15 to 90
Storage period	months @ 3 to 20°C (stored in sealed pot)	6
Load resistor	Ω (recommended)	10 to 47
Weight	g	<2

Note: Above 85% rh and 40°C a maximum continuous exposure period of 10 days is warranted. Where such exposure occurs the sensor will recover normal electrolyte volumes when allowed to rest at lower %rh and temperature levels for several days.



At the end of the product's life, do not dispose of any electronic sensor, component or instrument in the domestic waste, but contact the instrument manufacturer, Alphasense or its distributor for disposal instructions.

NOTE: all sensors are tested at ambient environmental conditions, with 10 ohm load resistor, unless otherwise stated. As applications of use are outside our control, the information provided is given without legal responsibility. Customers should test under their own conditions, to ensure that the sensors are suitable for their own requirements.

Technical Specification



H2S-D4 Performance Data

Technical Specification

Figure 2 Sensitivity Temperature Dependence

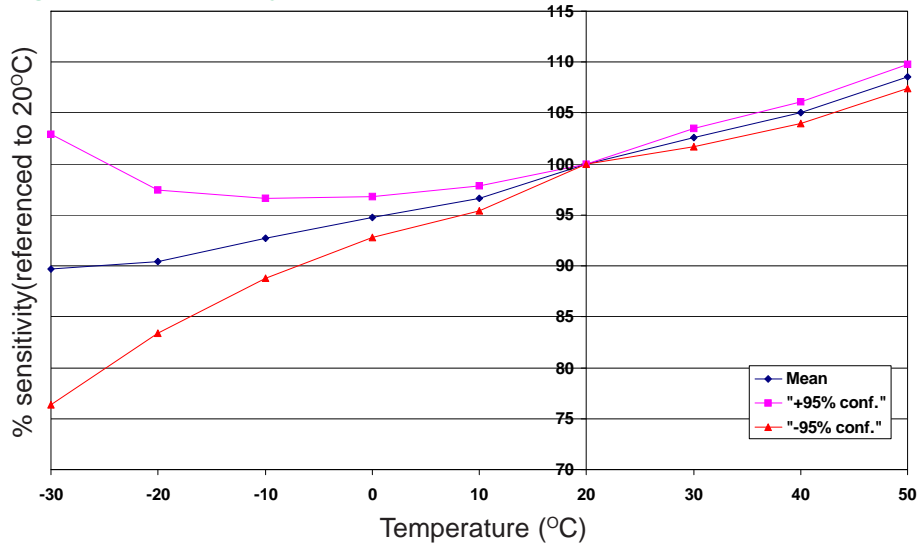


Figure 2 shows the mean and $\pm 95\%$ confidence intervals for the variation in sensitivity caused by changes in temperature.

The repeatable temperature dependence ranges from -30 to + 50°C allows more accurate temperature compensation.

Figure 3 Zero Temperature Dependence

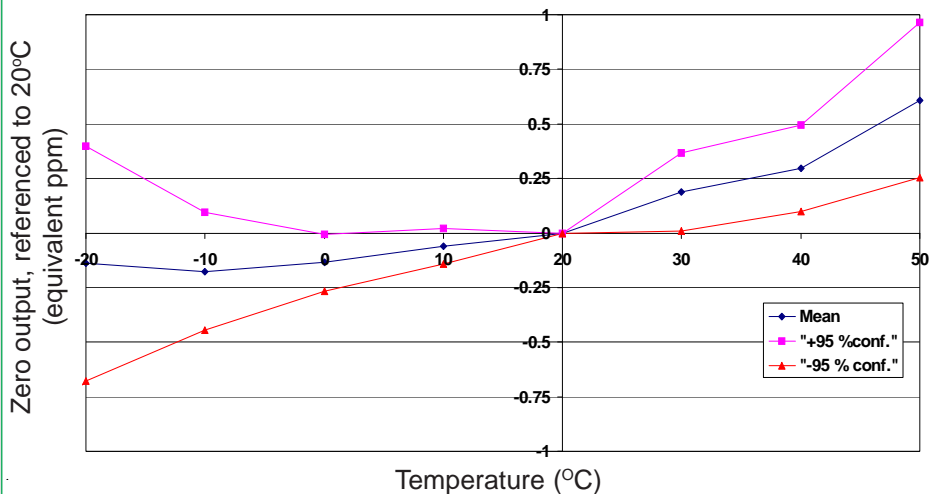


Figure 3 shows the variation in zero output caused by changes in temperature, expressed as ppm gas equivalent.

This data is taken from a typical batch of sensors. The mean and $\pm 95\%$ confidence intervals are shown.

Figure 4 Sensitivity Long Term Stability

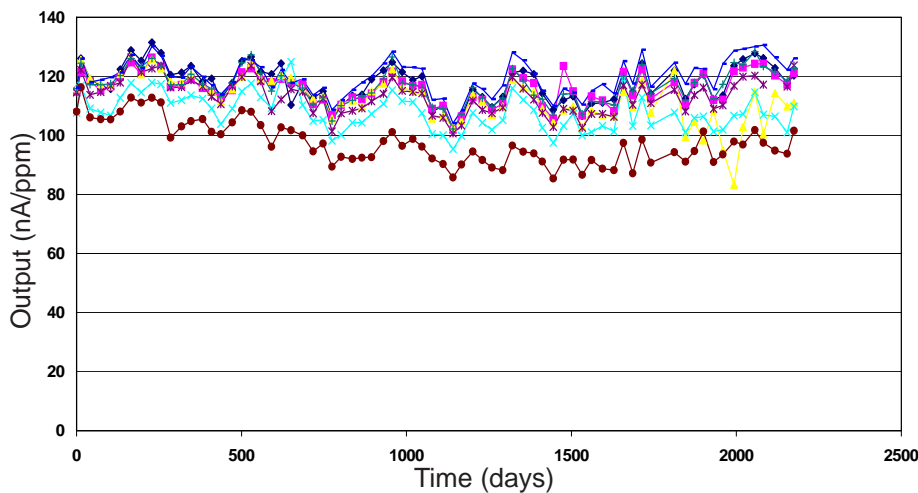


Figure 4 shows the long term stability of the H2S-D4 sensitivity in ambient air.

For further information on the performance of this sensor, on other sensors in the range or any other subject, please contact Alphasense Ltd or access our web site at "www.alphasense.com".

In the interest of continued product improvement, we reserve the right to change design features and specifications without prior notification. The data contained in this document is for guidance only. Alphasense Ltd accepts no liability for any consequential losses, injury or damage resulting from the use of this document or the information contained within. (©ALPHASENSE LTD) Doc. Ref. H2SD4/JUN11