

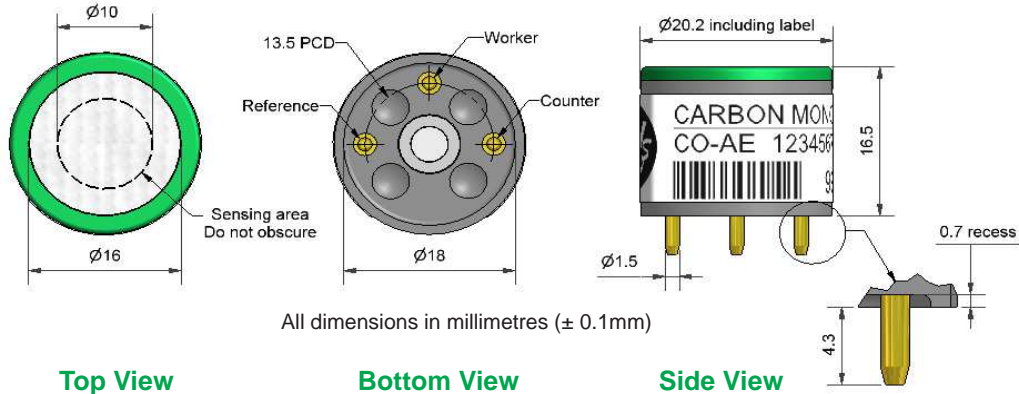


CO-AE Carbon Monoxide Sensor High Concentration



PATENTED

Figure 1 CO-AE Schematic Diagram



Technical Specification

PERFORMANCE	Parameter	Specification	Range
	Sensitivity	nA/ppm in 2,000ppm CO	10 to 25
	Response time	t_{90} (s) from zero to 2,000ppm CO	< 50
	Zero current	ppm equivalent in zero air	< ± 20
	Resolution	RMS noise (ppm equivalent)	< 5
	Range	ppm CO limit of performance warranty	10,000
	Linearity	ppm error at full scale, linear at zero and 2000ppm CO	< 0 to 500
	Overgas limit	maximum ppm for stable response to gas pulse	100,000

LIFETIME	Parameter	Specification	Range
	Zero drift	ppm equivalent change/year in lab air	< 2
	Sensitivity drift	% change/year in lab air, monthly test	< 1
	Operating life	months until 80% original signal (24 month warranted)	> 24

ENVIRONMENTAL	Parameter	Specification	Range
	Sensitivity @ -20°C	% (output @ -20°C/output @ 20°C) @ 400ppm CO	65 to 93
	Sensitivity @ 50°C	% (output @ 50°C/output @ 20°C) @ 400ppm CO	98 to 115
	Zero @ -20°C	ppm equivalent change from 20°C	< ± 2
	Zero @ 50°C	ppm equivalent change from 20°C	< ± 5

CROSS SENSITIVITY	Filter capacity	ppm-hours	Gas	Capacity
	Filter capacity	ppm-hours	H ₂ S	3,000,000
	Filter capacity	ppm-hours	NO ₂	8,000,000
	Filter capacity	ppm-hours	NO	200,000
	Filter capacity	ppm-hours	SO ₂	4,000,000
	H ₂ S sensitivity	% measured gas @ 20ppm	H ₂ S	< 0.1
	NO ₂ sensitivity	% measured gas @ 10ppm	NO ₂	< 0.1
	Cl ₂ sensitivity	% measured gas @ 10ppm	Cl ₂	< 0.2
	NO sensitivity	% measured gas @ 50ppm	NO	< 5
	SO ₂ sensitivity	% measured gas @ 20ppm	SO ₂	< 0.1
	H ₂ sensitivity	% measured gas @ 400ppm	H ₂ at 20°C	< 75
	C ₂ H ₄ sensitivity	% measured gas @ 400ppm	C ₂ H ₄	< 20
	NH ₃ sensitivity	% measured gas @ 20ppm	NH ₃	< 0.1

KEY SPECIFICATIONS

Temperature range	°C	-30 to 50
Pressure range	kPa	80 to 120
Humidity range	% rh continuous	15 to 90
Storage period	months @ 3 to 20°C (stored in sealed pot)	6
Load resistor	Ω (recommended)	10 to 47
Weight	g	< 6



At the end of the product's life, do not dispose of any electronic sensor, component or instrument in the domestic waste, but contact the instrument manufacturer, Alphasense or its distributor for disposal instructions.

NOTE: all sensors are tested at ambient environmental conditions, with 10 ohm load resistor, unless otherwise stated. As applications of use are outside our control, the information provided is given without legal responsibility. Customers should test under their own conditions, to ensure that the sensors are suitable for their own requirements.



CO-AE Performance Data

Technical Specification

Figure 2 Sensitivity Temperature Dependence

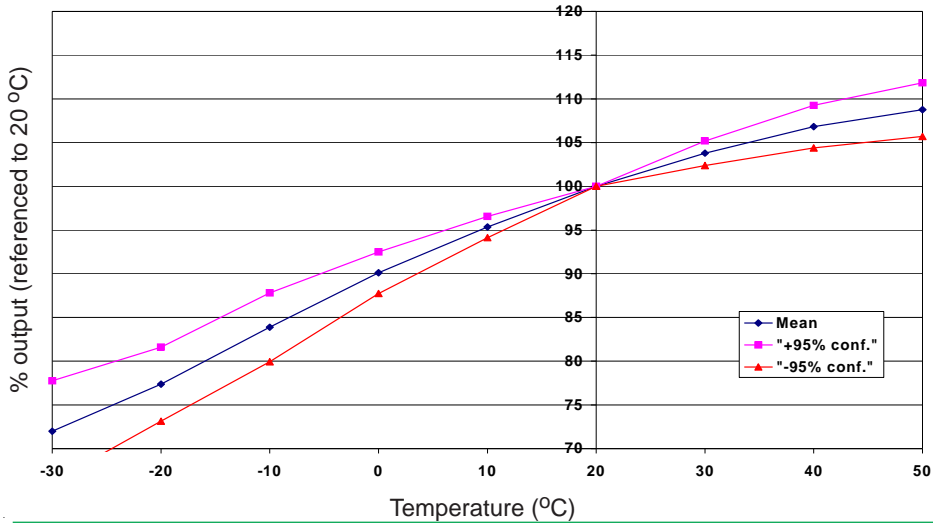


Figure 2 shows the variation in sensitivity caused by changes in temperature.

This data is taken from a typical batch of sensors. The mean and $\pm 95\%$ confidence intervals are shown.

Figure 3 Zero Temperature Dependence

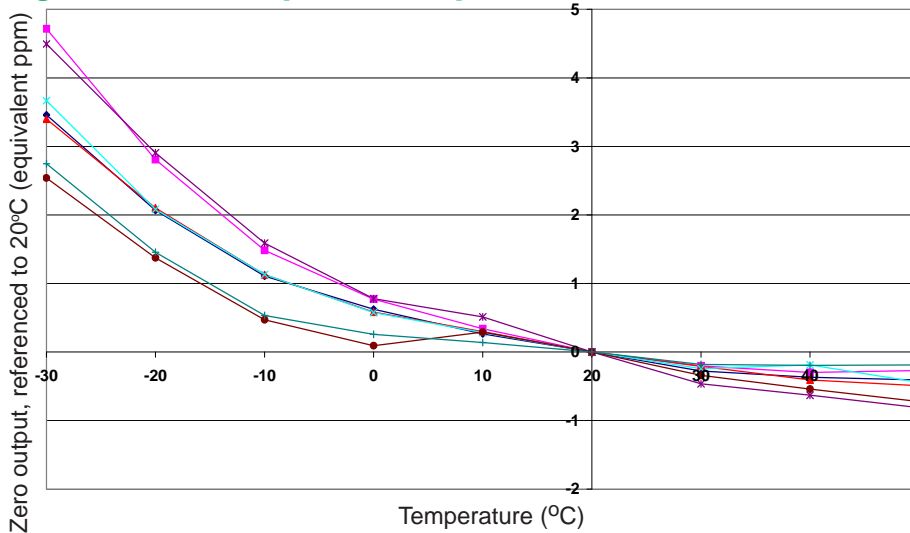
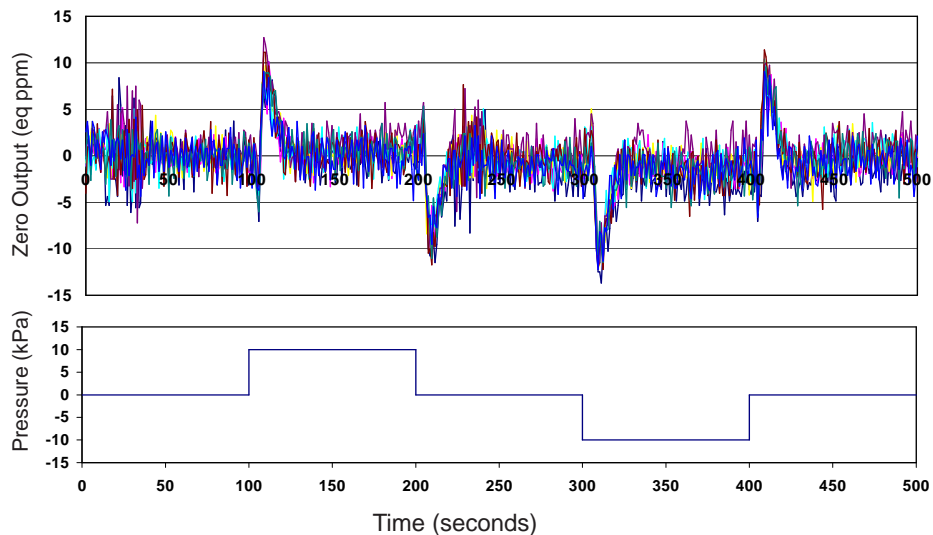


Figure 3 shows the variation in zero output caused by changes in temperature, expressed as ppm gas equivalent, referenced to zero at 20°C.

This data is taken from a typical batch of sensors.

Figure 4 Zero Response to Pressure Steps



From ambient pressure, sensors were subjected to both positive and negative 10kPa pressure steps. The small transient rapidly decays as the sensor returns to its zero baseline.

For further information on the performance of this sensor, on other sensors in the range or any other subject, please contact Alphasense Ltd. For Application Notes visit "www.alphasense.com".

In the interest of continued product improvement, we reserve the right to change design features and specifications without prior notification. The data contained in this document is for guidance only. Alphasense Ltd accepts no liability for any consequential losses, injury or damage resulting from the use of this document or the information contained within. (©ALPHASENSE LTD) Doc. Ref. COAE/MAR17